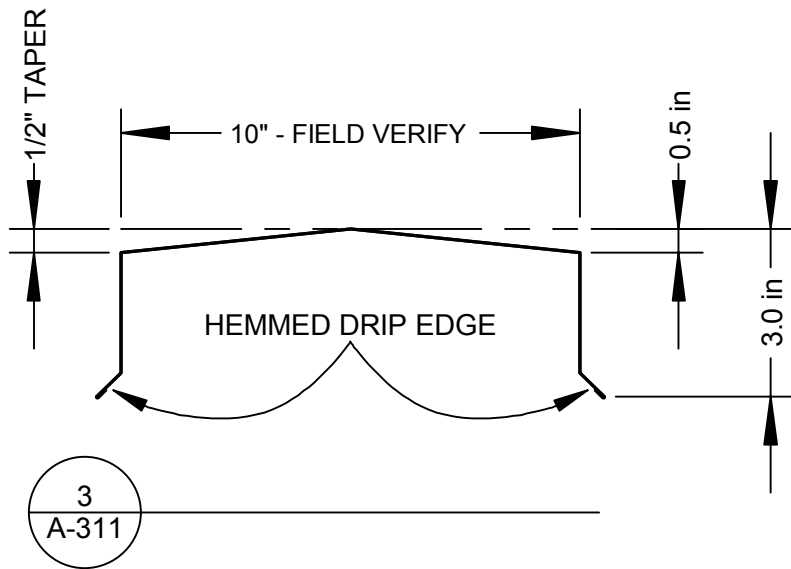
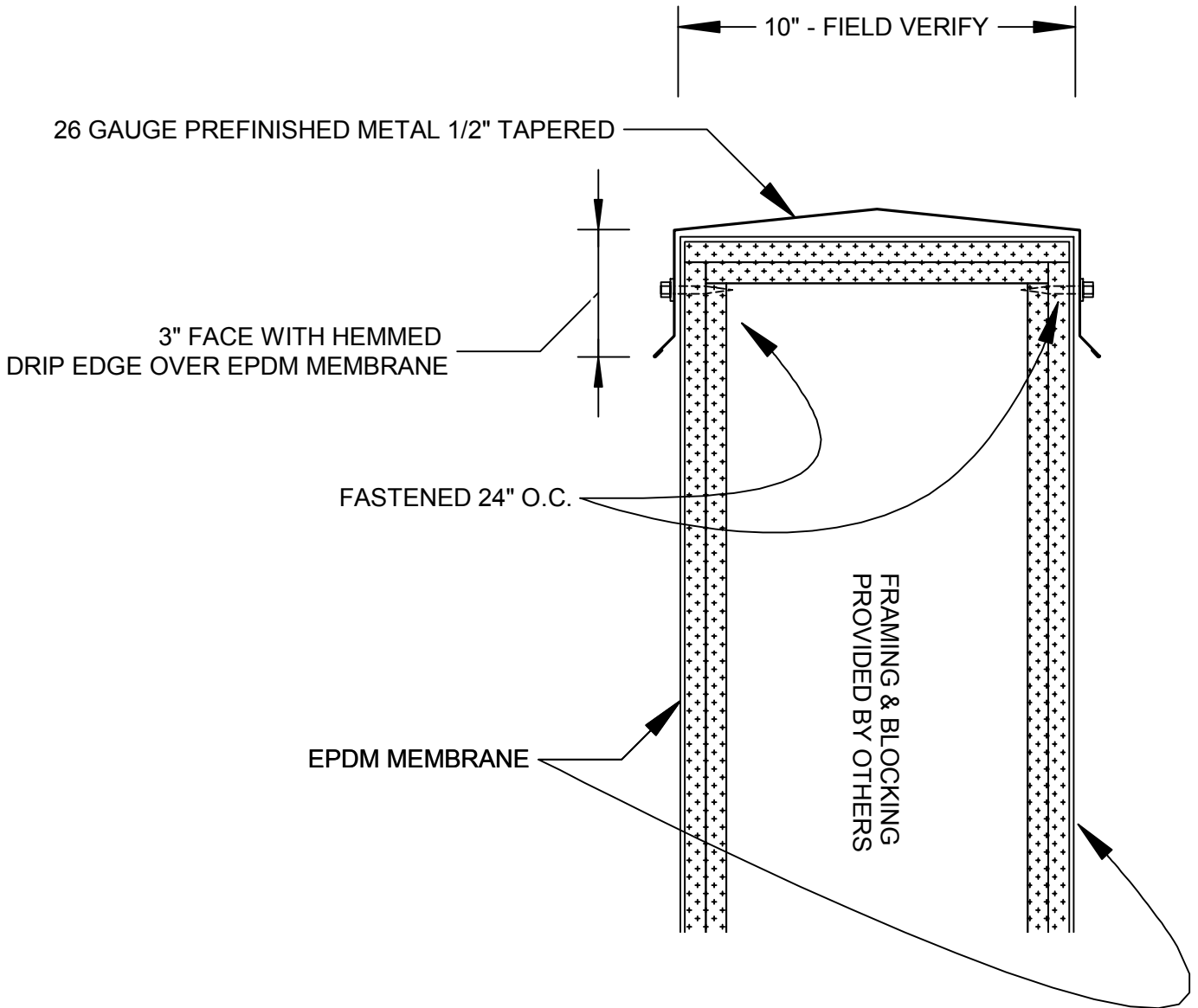
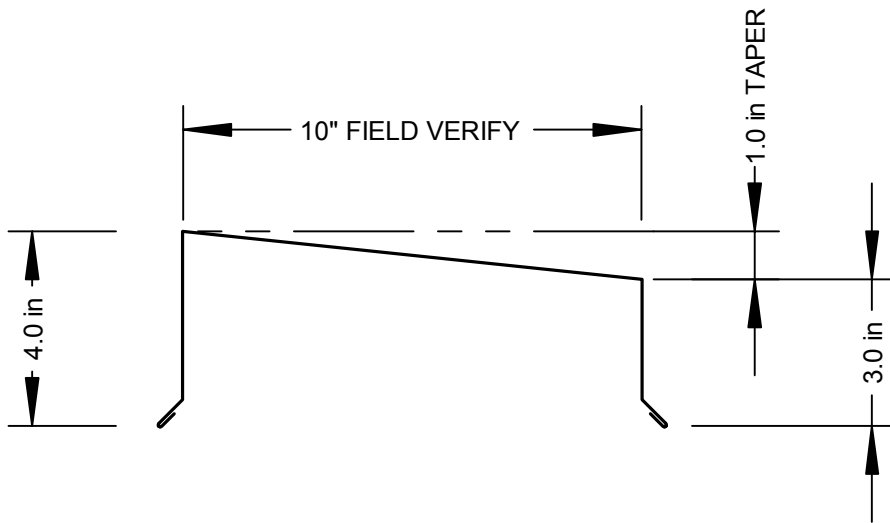
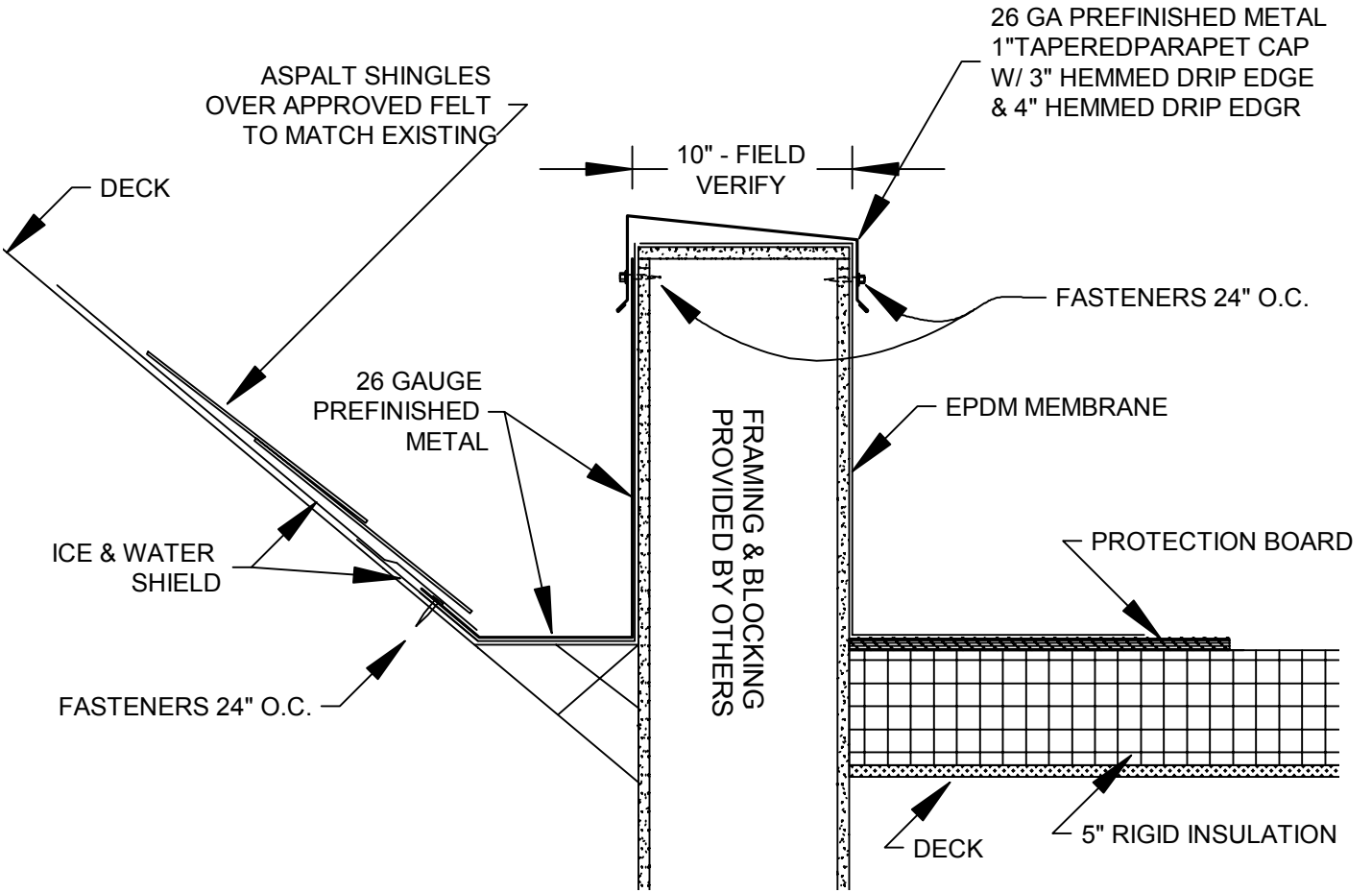


3
A-311

TITLE		TYPICAL PARAPET CAP DETAIL	
A		DWG NO	REV
SCALE	NONE	SHEET	1 OF 1

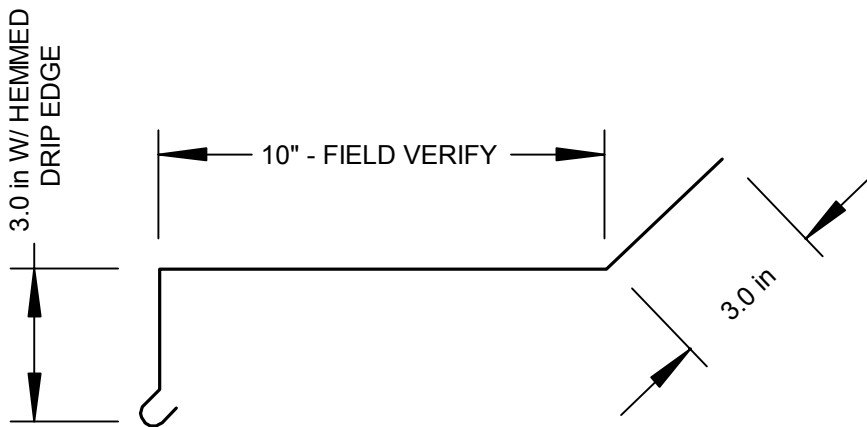
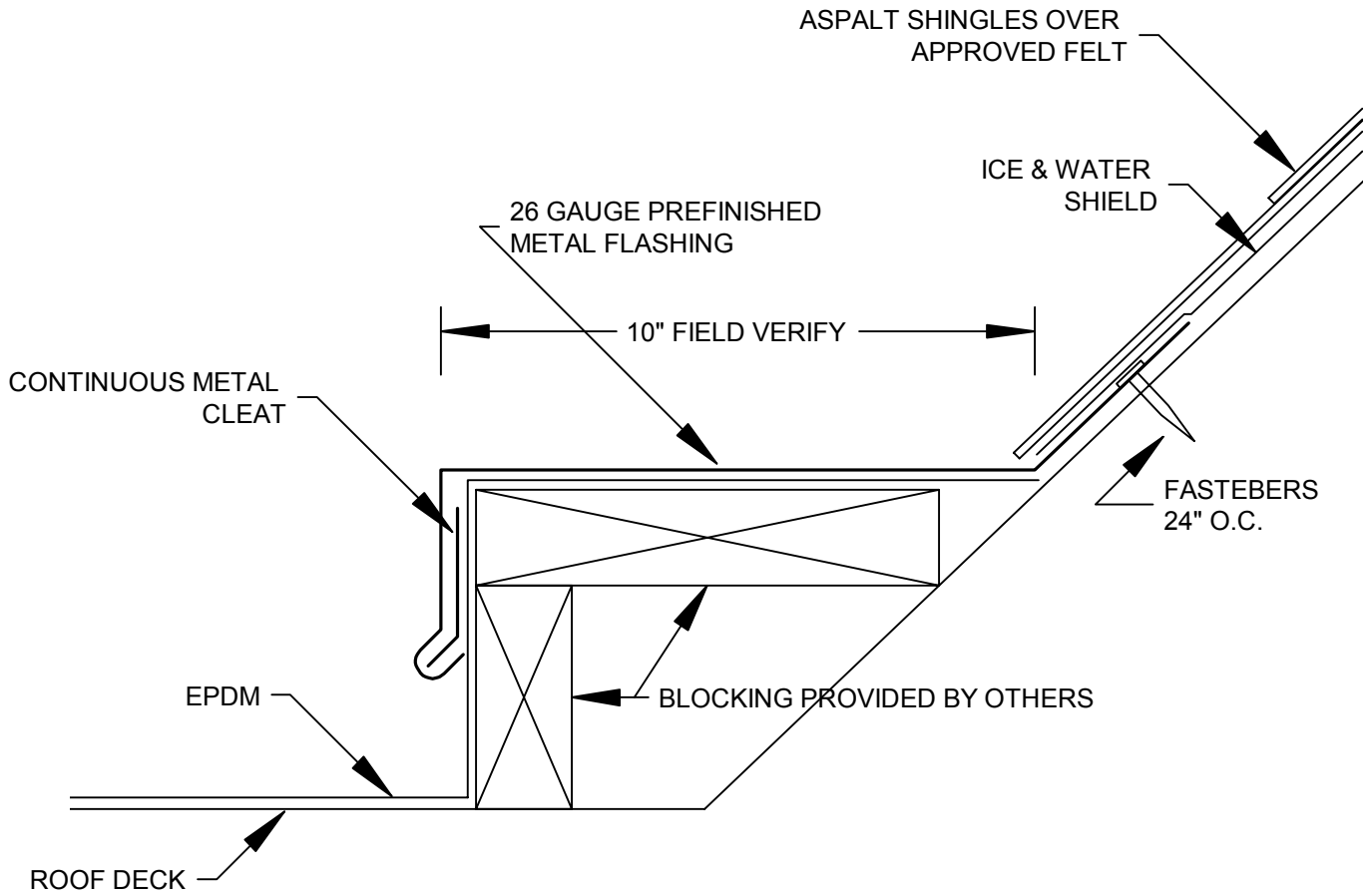


TITLE		TAPERED PARAPET CAP	
DWG NO	REV		
A		SCALE	NONE
		SHEET	1 OF 1



1
A-310

TITLE		26 GAUGE TAPERED PARAPET CAP	
DWG NO	REV		
A			
SCALE	NONE	SHEET	1 OF 1

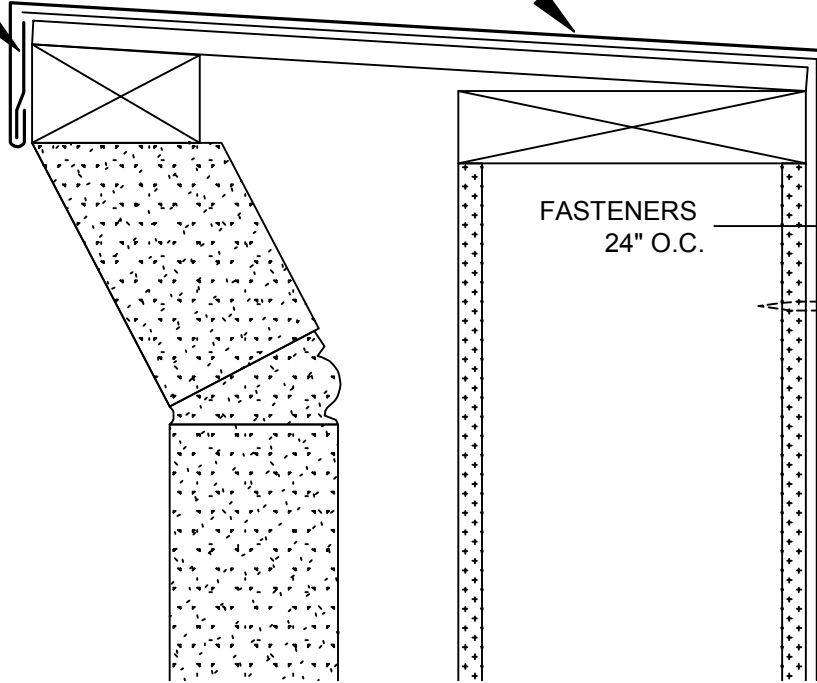


5
A-510

TITLE		ASPALT SINGLE TO EPDM ROOFING TRANSITION	
DWG NO	REV		
A			
SCALE	NONE	SHEET	1 OF 1

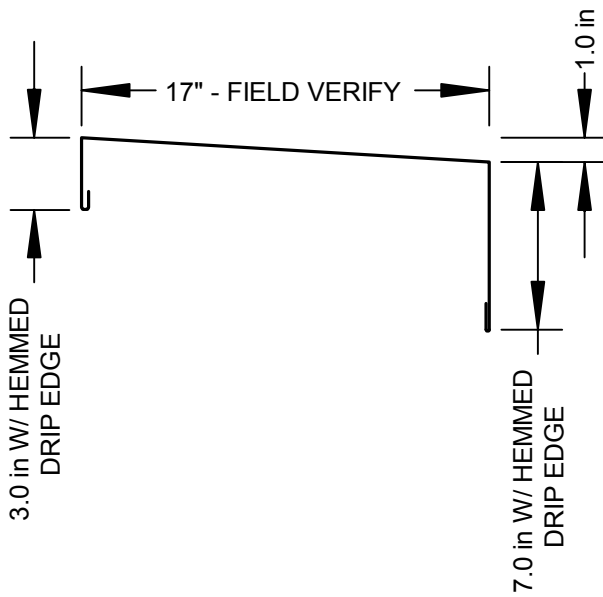
CONTINUOUS
METAL CLEAT

26 GAUGE PREFINISHED
METAL FLASHING

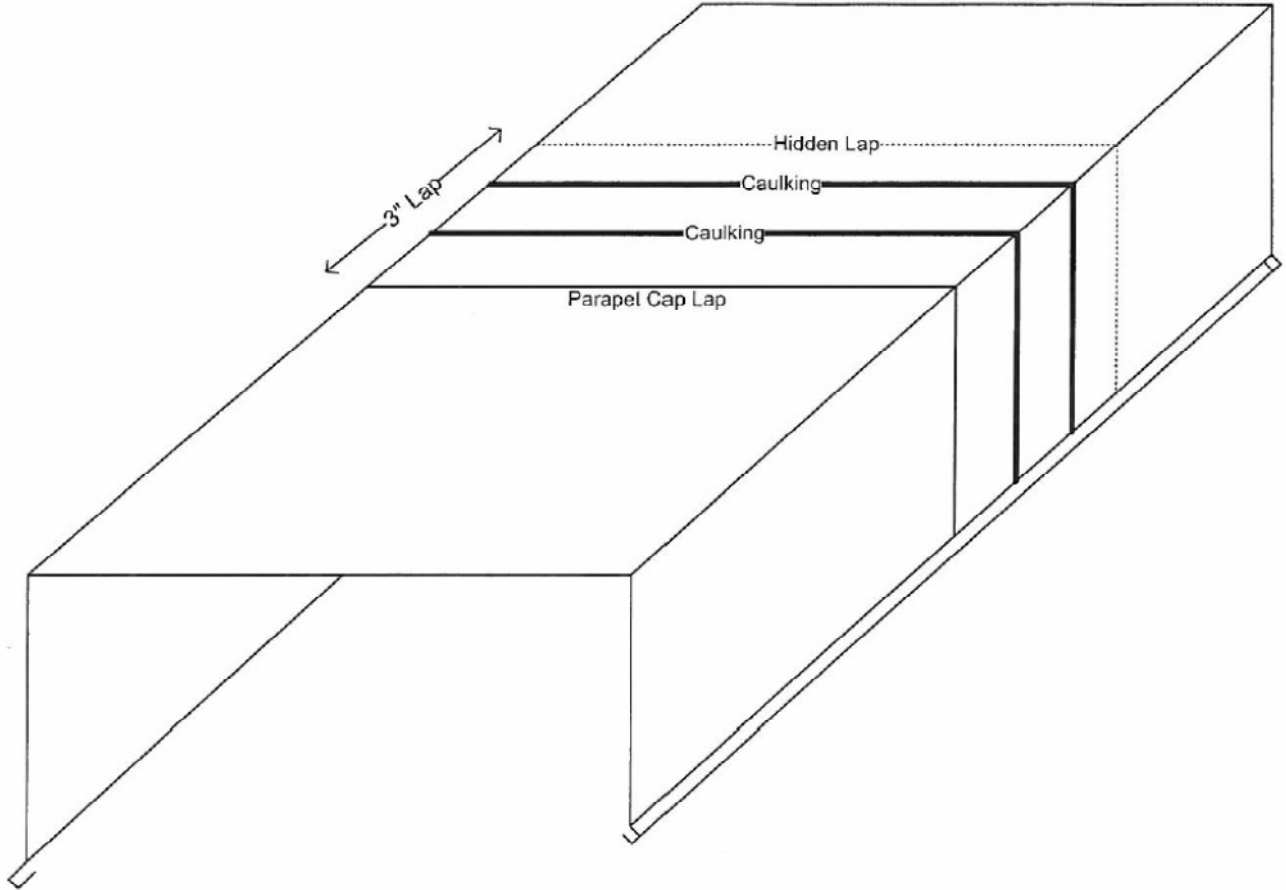


FASTENERS
24" O.C.

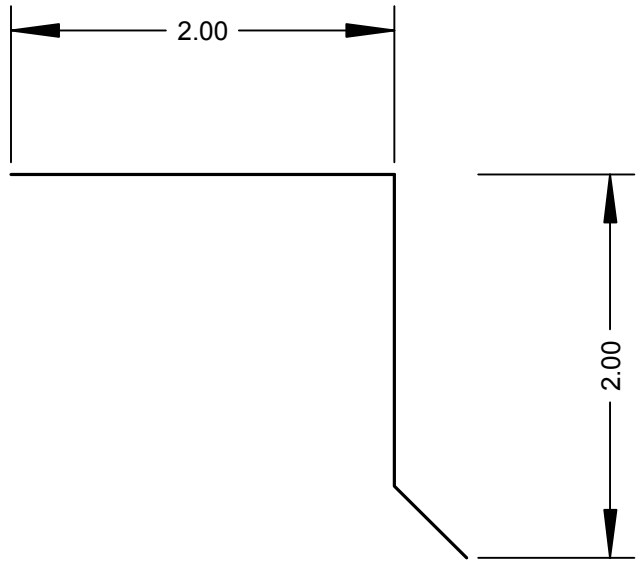
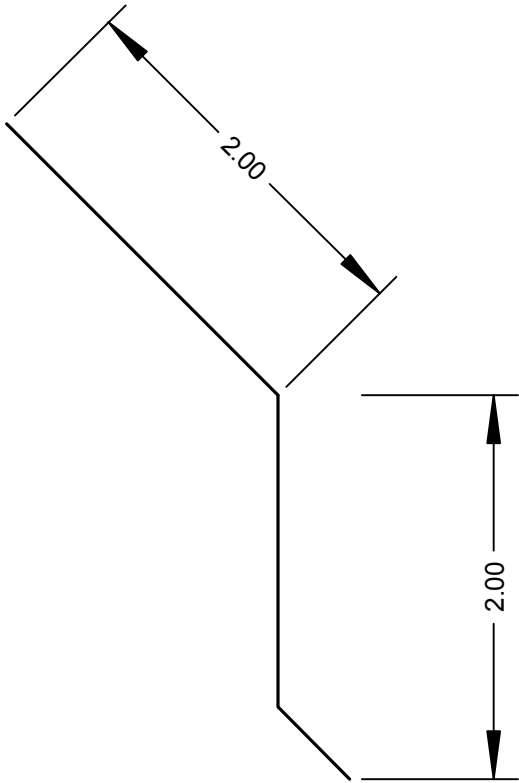
EPDM



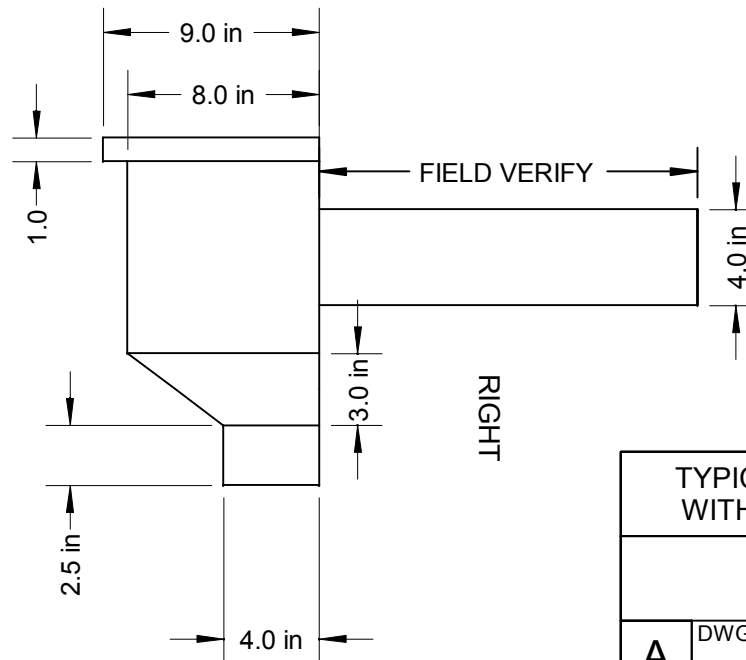
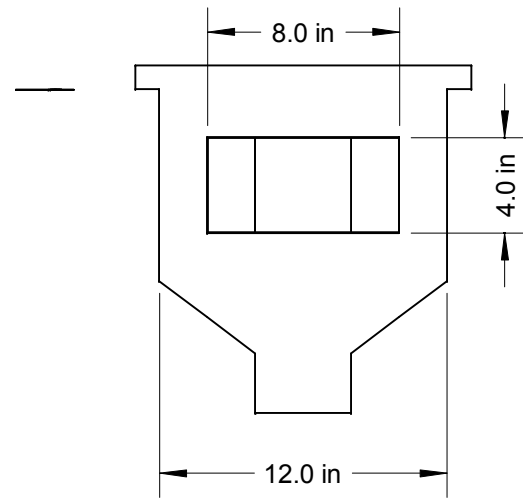
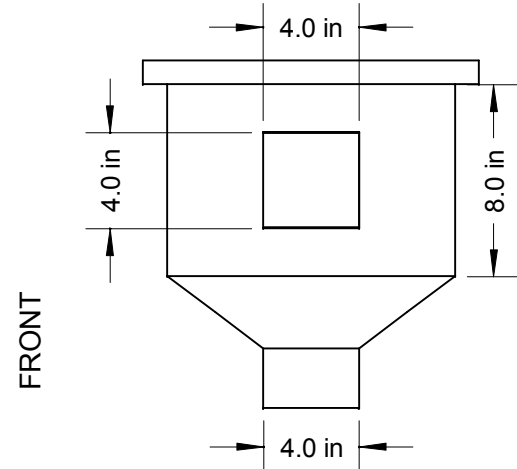
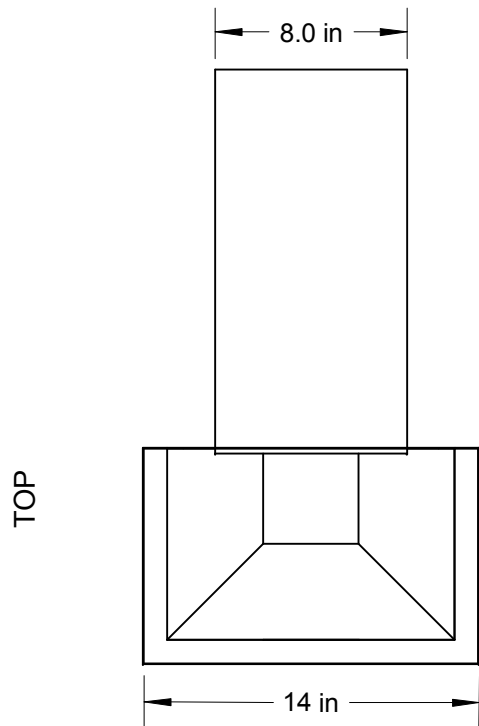
TITLE		26 GAUGE MASONRY PARAPET CAP	
DWG NO		REV	
A			
SCALE	NONE	SHEET	1 OF 1



FLASHING & PARAPET CAP LAP DETAIL			
3" LAP			
A		DWGNO	REV
SCALE	NONE	SHEET	1 OF 1



TITLE		TYPICAL DRIP & GABLE EDGE	
DWGNO		REV	
A			
SCALE	NONE	SHEET	1 OF 1

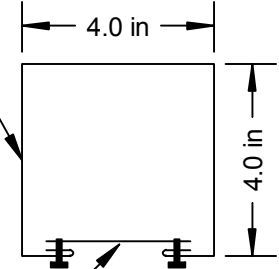


26 GAUGE
PREFINISHED
COLLECTOR HEAD

4" x 4"
OVERFLOW

THROUGH-
WALL SCUPPER

26 GA PREFINISHED
OPEN FACED
DOWNSPOUT



STRAPS 24" O.C.

TYPICAL SCUPPER & COLLECTOR HEAD
WITH OVERFLOW DOWNSPOUT DETAIL

A	DWG NO	REV
	SCALE NONE	SHEET 1 OF 1