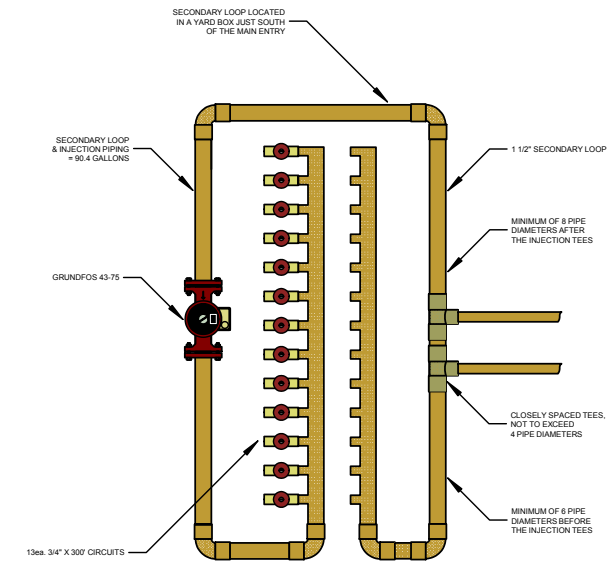


PRIMARY LOOP / INJECTION PIPING / NO MAKE-UP WATER / 100% WATER



SECONDARY LOOP / 40% PROPYLENE GLYCOL

JIM OLER'S SNOW-MELT

SNOW MELT
2800 SQ. FT.
DESIGN BUILD

M2.1.1