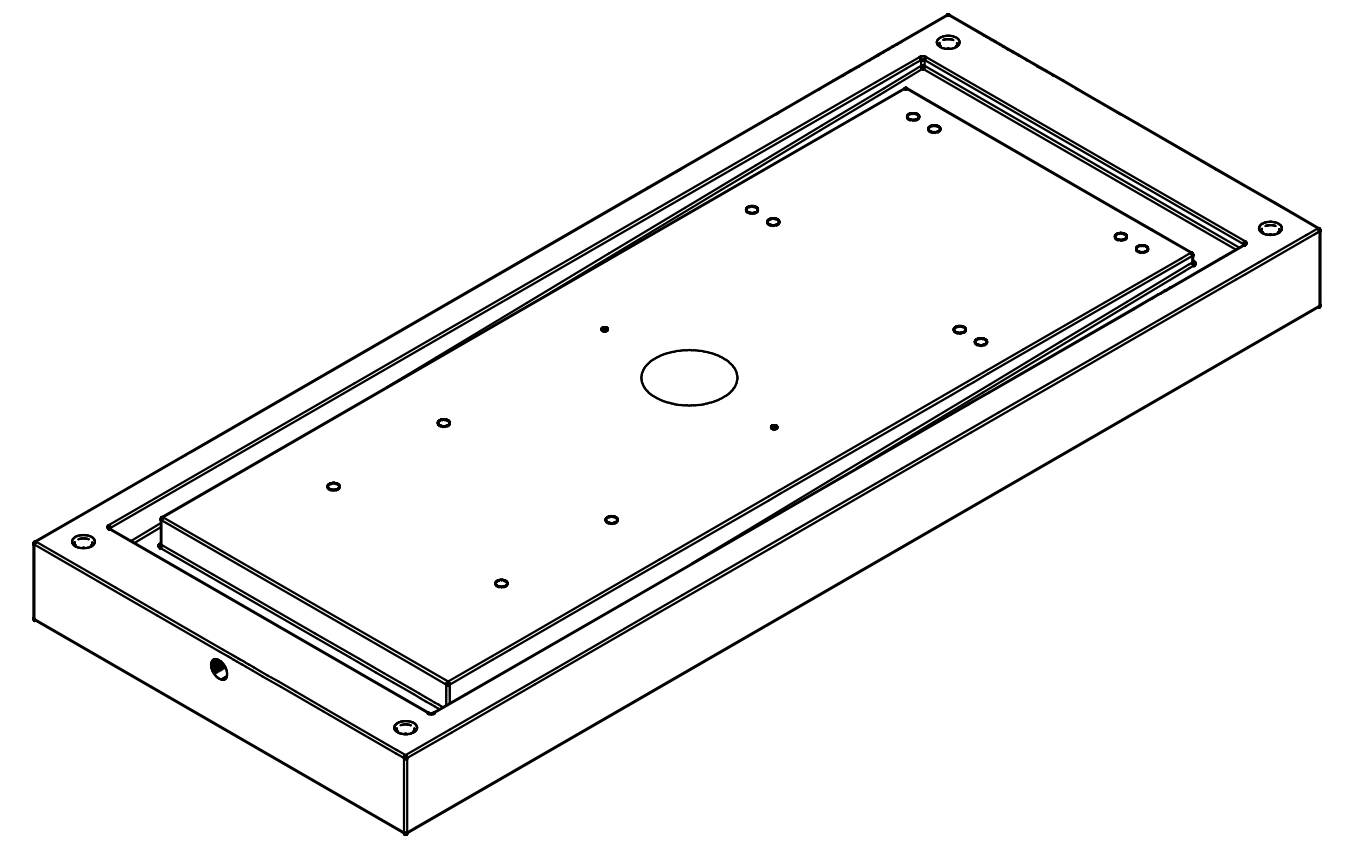
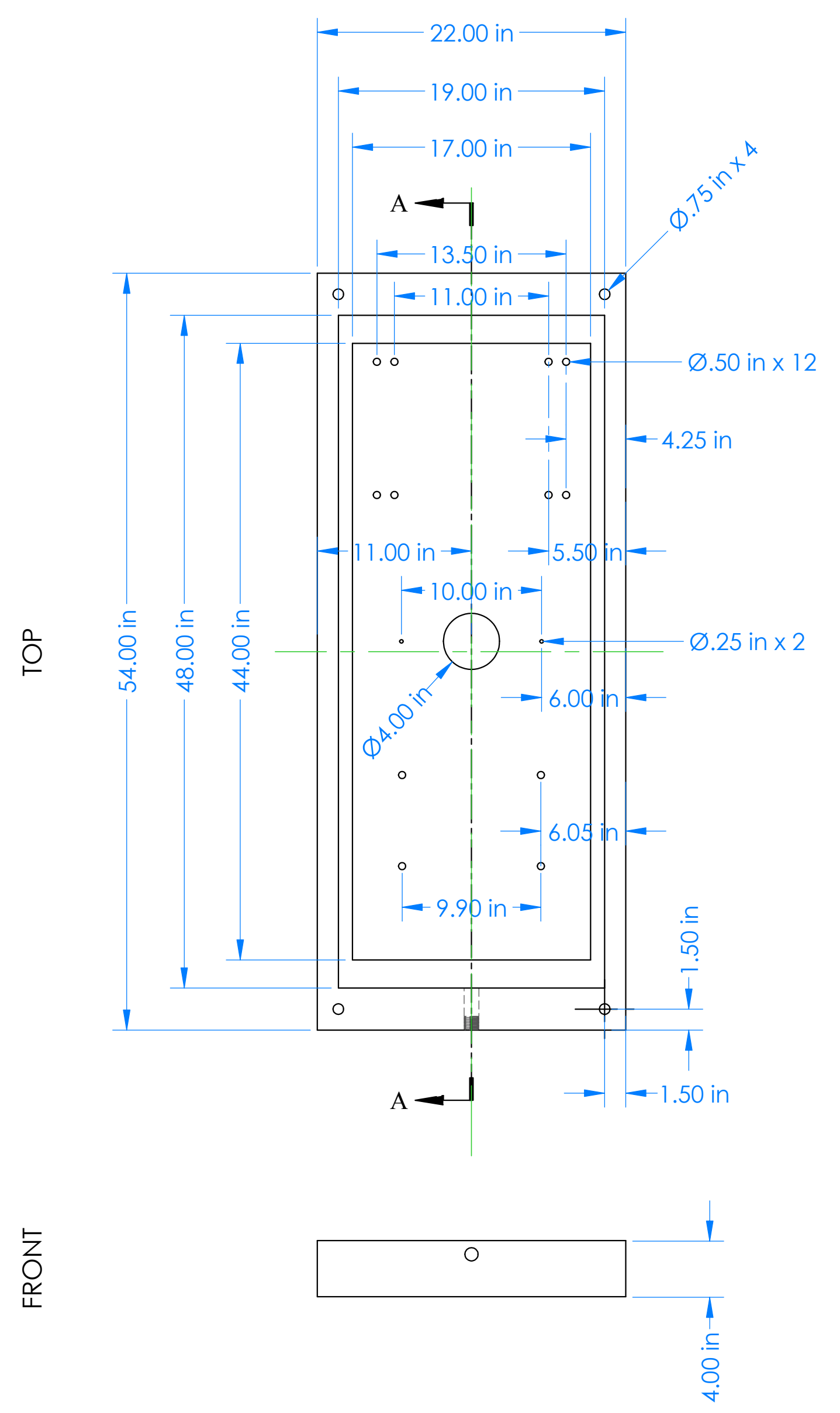
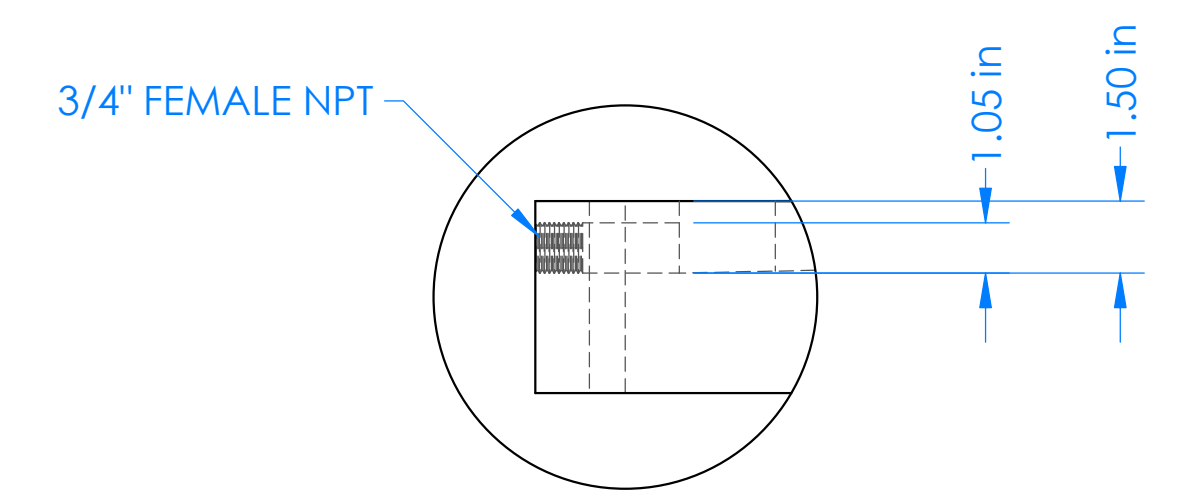


1 2 3 4 5

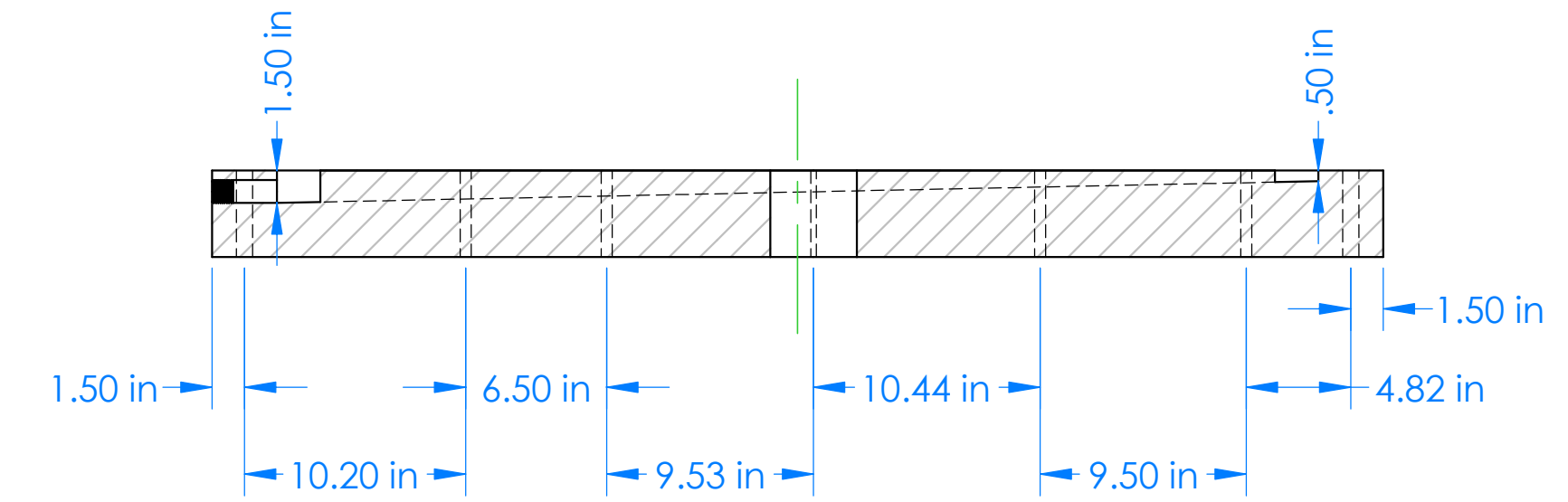
E  
D  
C  
B  
A



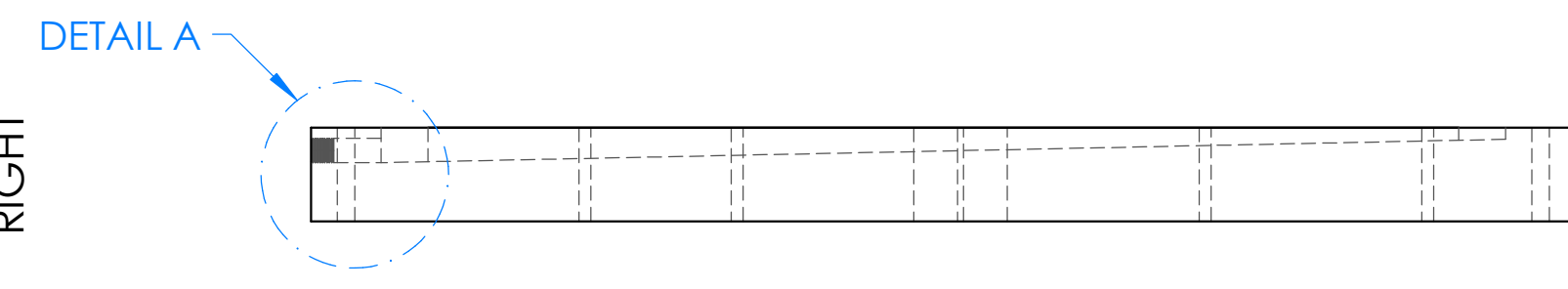
DETAIL A



SECTION A - A



RIGHT



UNLESS OTHERWISE SPECIFIED DIMENSIONS ARE IN INCHES AND INCLUDE THICKNESS OF PLATING TOLERANCES.			NAME:	DATE:	JESUS IS MY LORD		
TOLERANCES ON:			DESIGN BY:	SM	07/20/2014	TITLE:	
BASIC DIMENSIONS	2 PLACE DECIMALS	3 PLACE DECIMALS	DRAWN BY:	JGO	07/23/2014	BASE PLATE	
UP TO 6	± .02	± .005	CHECKED BY:	-	-	SIZE:	DRAWING NO.
6 TO 24	± .03	± .010	APPROVED BY:	-	-	C	20140723 BP01
ABOVE 24	± .06	± .015	MATERIAL:		PROPRIETARY AND CONFIDENTIAL THE INFORMATION CONTAINED IN THIS DRAWING IS THE SOLE PROPERTY OF IPS		REV:
ANGULAR DIMENSIONS ± 0.5°			FINISH:		ANY REPRODUCTION IN PART OR AS A WHOLE WITHOUT THE WRITTEN PERMISSION OF IPS IS PROHIBITED.		-
PER MANUFACTURER			SCALE 1 : 8		WG:	SHEET 1 OF 1	
PER MANUFACTURER							

1 2 3 4 5